

Charlie

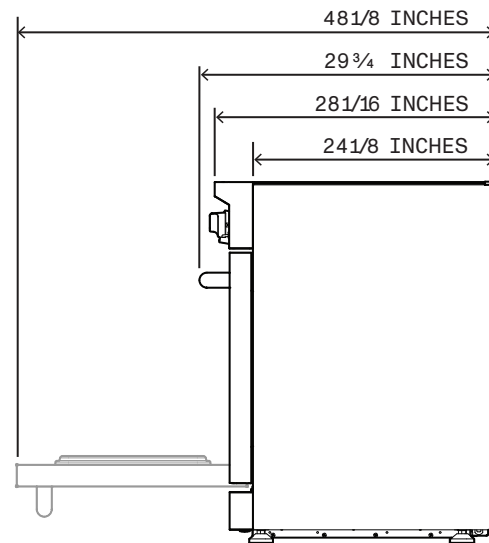
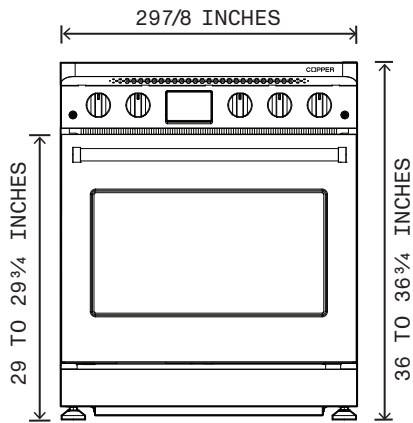
Energy Specifications

MODEL NO.
 CU-R2B-30-SS
 CU-R2B-30-WT
 CU-R2B-30-BL

DETAILED DIMENSIONS

- WIDTH: 29 7/8 INCHES
- HEIGHT: 36 TO 36 3/4 INCHES
- HEIGHT TO TOP OF OVEN DOOR: 29 TO 29 3/4 INCHES
- DEPTH TO FRONT EDGE OF GLASS: 24 1/8 INCHES
- DEPTH EXCLUDING HANDLE: 28 1/16 INCHES
- DEPTH INCLUDING HANDLE : 29 3/4 INCHES
- DEPTH WITH DOOR OPEN: 48 1/8 INCHES

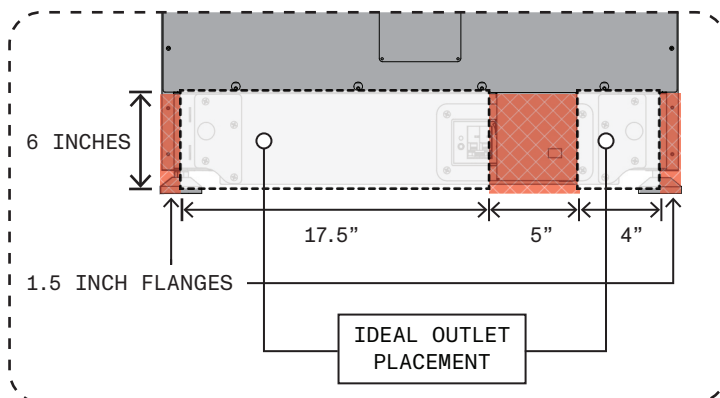
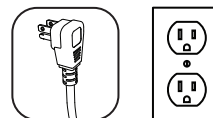
Depth measuring note: if there are obstructions such as a gas line or electrical outlet not in the defined recessed areas in the rear of the range, it will sit further away from the wall. See the following page for trim pieces to span the gap left by such obstructions.



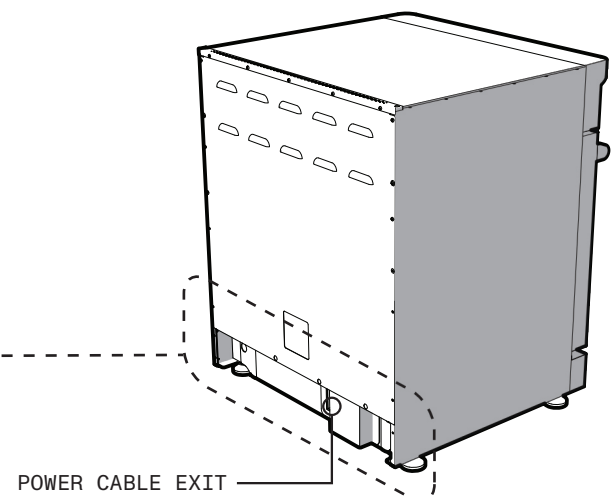
ELECTRICAL REQUIREMENTS

- NEMA 5-15 RECEPTACLE
- INPUT POWER - 120V, 60HZ, 12A
- DEDICATED CIRCUIT RECOMMENDED FOR OPTIMUM PERFORMANCE
- IDEAL OUTLET PLACEMENT PICTURED BELOW

Note: Charlie comes equipped with a 6 foot long power cord with a 0.8 inch deep 90 degree low profile NEMA 5-15 plug



REAR BOTTOM DETAIL



POWER CABLE EXIT

COPPER

COPPERHOME.COM
 hello@copperhome.com

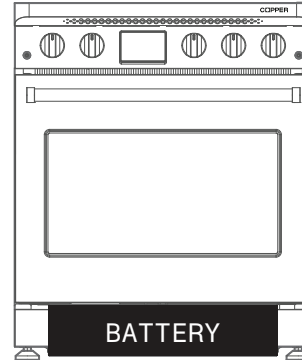
Charlie

Energy Specifications

MODEL NO.
CU-R2B-30-SS
CU-R2B-30-WT
CU-R2B-30-BL

BATTERY SPECIFICATION

- CHEMISTRY: RECHARGEABLE LITHIUM IRON PHOSPHATE
- RATED CAPACITY: 5366.4WH
- VOLTAGE: 120V
- MAXIMUM OUTPUT POWER TO RANGE: 10KW
- MAXIMUM CONTINUOUS CHARGE RATE ON 120V: 1.2KW
- SELF CONSUMPTION ONLY*
- CONFIGURABLE BATTERY OPERATING MODES INCLUDE:
 - MAXIMIZE SOLAR CONSUMPTION
 - MAXIMIZE TOU SAVINGS
 - CHARGE CONTINUOUSLY
 - PARTICIPATE IN DEMAND RESPONSE
- CERTIFIED TO UL1973
- UL9540A



REAL-WORLD OPERATING PERFORMANCE

Typical cooking events drive demand spikes as high as 8-10kW for conventional electric / induction ranges. Charlie's integrated battery absorbs these peaks before they reach the grid, eliminating grid draw during peak hours with no change to the customer's cooking experience. The battery pulls under 1kW to recharge during programmable charging windows when the grid is under less stress. During a demand response dispatch signal, the unit suspends grid draw and operates on stored energy for the duration of the event. Upon event completion, the unit resumes grid-powered operation and recharges the battery.

*Optional pre-production module available for select partners to enable power export

Additional technical details available upon request

TYPICAL POWER PROFILE

