

Charlie

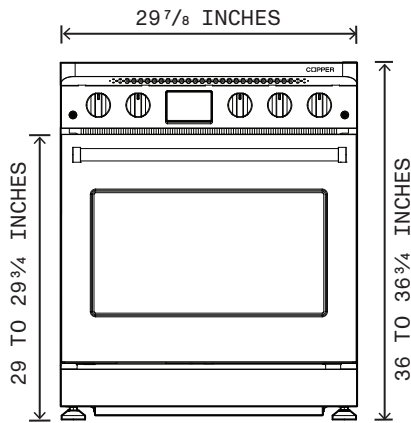
MODEL NO.
CU-R2B-30-SS
CU-R2B-30-WT
CU-R2B-30-BL

Installation details

DETAILED DIMENSIONS

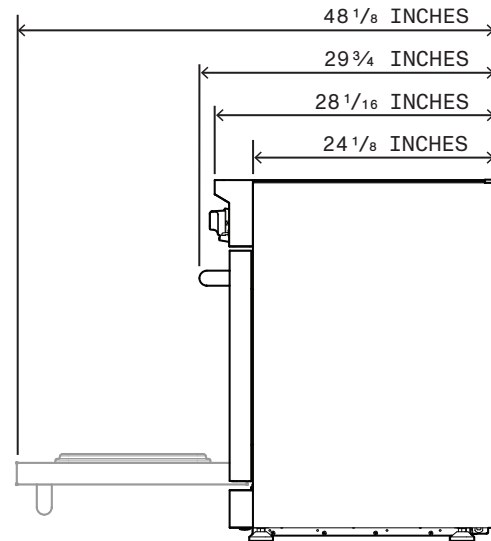
- WIDTH: 29⁷/₈ INCHES
- HEIGHT: 36 TO 36³/₄ INCHES
- HEIGHT TO TOP OF OVEN DOOR: 29 TO 29³/₄ INCHES
- DEPTH TO FRONT EDGE OF GLASS: 24¹/₈ INCHES
- DEPTH EXCLUDING HANDLE: 28¹/₁₆ INCHES
- DEPTH INCLUDING HANDLE : 29³/₄ INCHES
- DEPTH WITH DOOR OPEN: 48¹/₈ INCHES

Depth measuring note: if there are obstructions such as a gas line or electrical outlet not in the defined recessed areas in the rear of the range, it will sit further away from the wall. See the following page for trim pieces to span the gap left by such obstructions.



BATTERY SPECIFICATION

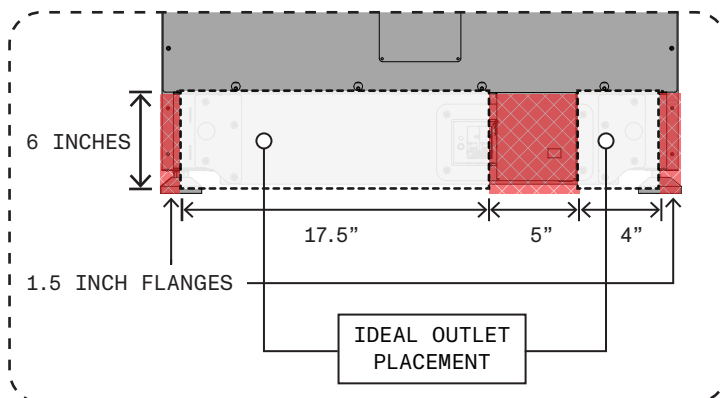
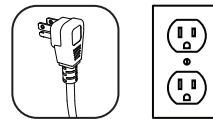
- RECHARGEABLE LITHIUM IRON PHOSPHATE
- 5366.4WH CAPACITY
- UL1973A AND UL9540A



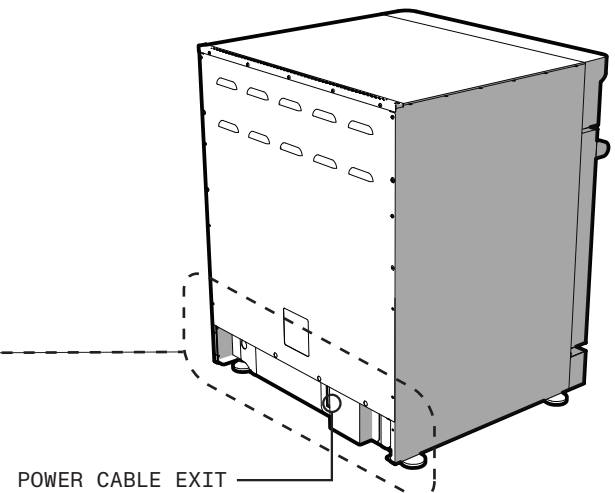
ELECTRICAL REQUIREMENTS

- NEMA 5-15 RECEPTACLE
- INPUT POWER - 120V, 60HZ, 12A
- DEDICATED CIRCUIT RECOMMENDED FOR OPTIMUM PERFORMANCE
- IDEAL OUTLET PLACEMENT PICTURED BELOW

Note: Charlie comes equipped with a 6 foot long power cord with a 0.8 inch deep 90 degree low profile NEMA 5-15 plug



REAR BOTTOM DETAIL



POWER CABLE EXIT

COPPER

COPPERHOME.COM
hello@copperhome.com

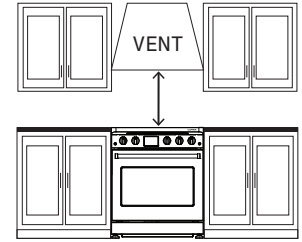
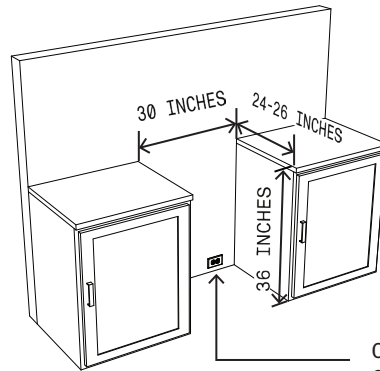
Charlie

Installation details

MODEL NO.
CU-R2B-30-SS
CU-R2B-30-WT
CU-R2B-30-BL

IDEAL SPACE REQUIREMENTS

- 30" WIDE OPENING
- 36" TALL ADJACENT COUNTER TOP
- NEMA 5-15 ELECTRICAL OUTLET POSITIONED IN SPECIFIED AREAS OR RECESSED IN WALL
- 24 INCH MINIMUM DISTANCE TO VENT HOOD RECOMMENDED



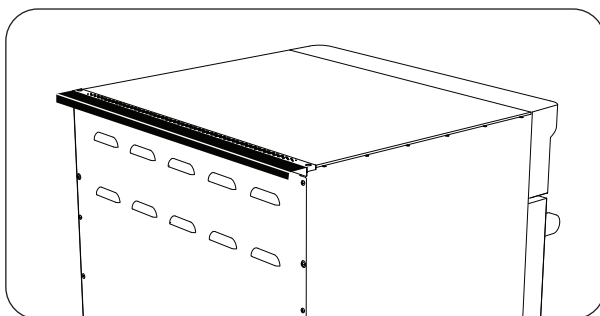
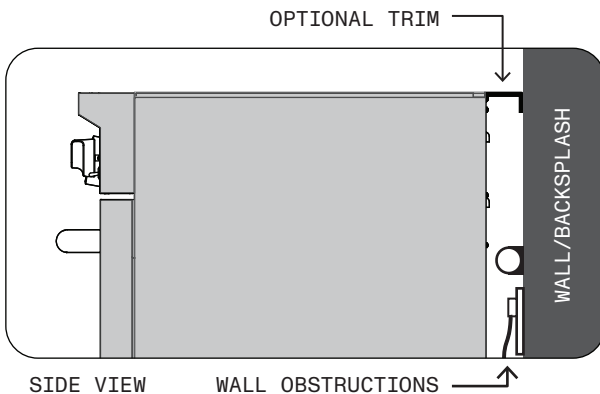
OUTLET PLACED AS DESCRIBED ON PREVIOUS PAGE

TRIM OPTIONS

Copper offers multiple trim pieces to span a gap between the range and the rear wall for situations where an electrical outlet or gas pipe keeps the range from fully sliding up to the rear wall.

Measure the depth of the furthest obstruction from the wall and choose the appropriate trim.

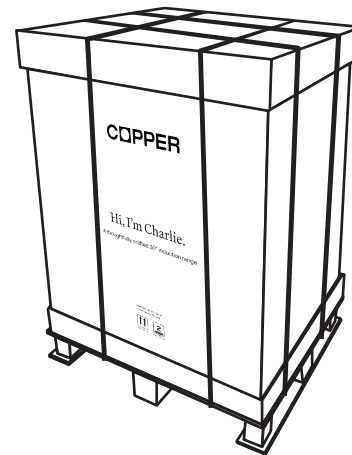
- 1" DEEP TRIM - CU-A1B-30XS-SS
- 1.5" DEEP TRIM - CU-A1B-30S-SS
- 2.25" DEEP TRIM - CU-A1B-30XL-SS



PACKAGING DETAILS

Charlie comes in a corrugated box strapped to wooden pallet.

- WIDTH: 33 1/8 INCHES
- DEPTH: 30 1/8 INCHES
- HEIGHT: 44 3/4 INCHES
- GROSS WEIGHT: 370LBS



TRANSPORT DETAILS

Copper suggests a forklift or narrow pallet jack for moving within a warehouse or loading and unloading from vehicles. Never stack more than 2 total Copper ranges. When removing a range from pallet and transporting by hand, Copper suggests at least a two person lift using appliance carrying straps to avoid injury. The use of a "carpet slider" style device has shown to reduce chances of damaging floors and range feet when sliding into position on hardwood or other scratchable flooring surface.

COPPER

COPPERHOME.COM
hello@copperhome.com